

THE INSTRUCTIONS OF THE THERMOSTAT

SAS811FHL-0 on/off mechanical electric floor heating thermostat

SPECIFICATION

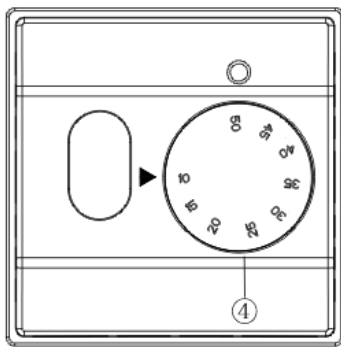
1. Working voltage: 190V~240V / 50-60HZ
2. Accuracy of the temperature: $\pm 0.5^{\circ}\text{C}$
3. The temperature control range: $10^{\circ}\text{C}\sim 50^{\circ}\text{C}$
4. Working environment temperature: $0^{\circ}\text{C}\sim +50^{\circ}\text{C}$
5. Storage environment temperature: $-10^{\circ}\text{C}\sim +60^{\circ}\text{C}$

SAFETY INFORMATION

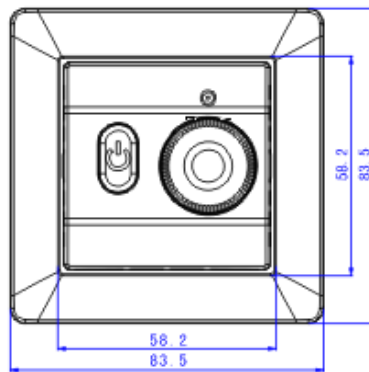
- Always turn off the thermostat external power supply before installing, removing, cleaning, or servicing this thermostat.
- Reading all of the information in this manual before installing the thermostat.
- Only allow professionals to install the thermostat.
- All wiring must conform to local and national building and electrical codes and ordinances.

APPEARANCE

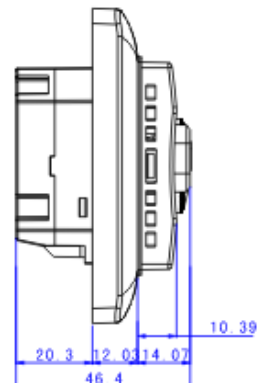
1、 Square lid



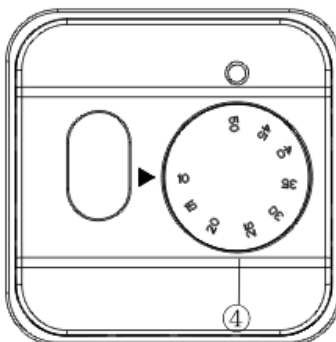
Square frame



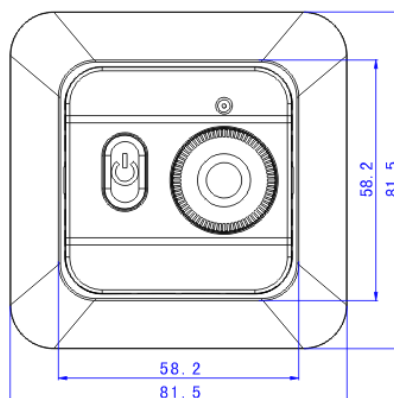
Dimensions



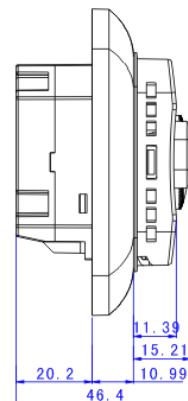
2. Round lid



Round frame

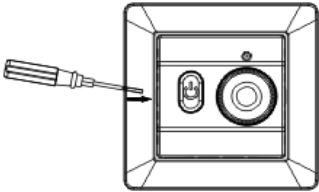
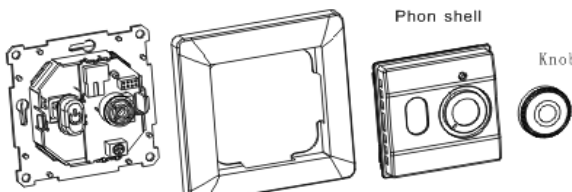
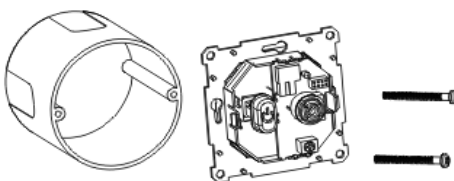
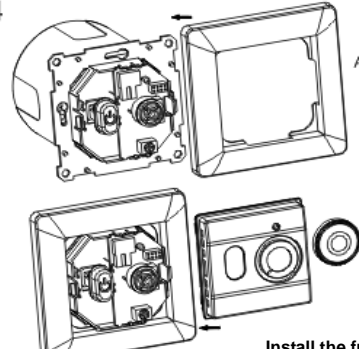


Dimensions

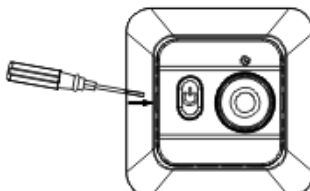
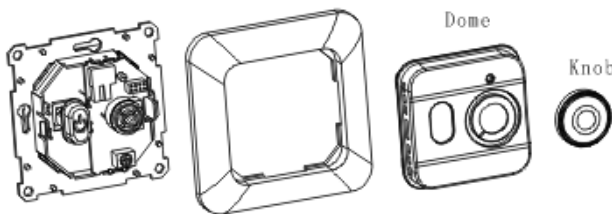
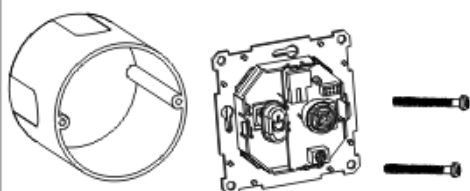
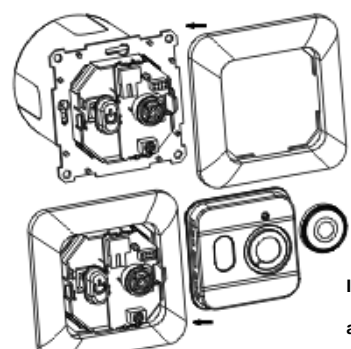


INSTALLATION

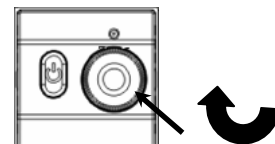
Square lid type

<p>1</p>  <p>First, please remove the knob , then use tool open the spring clip on both sides.</p>	<p>2</p> <p>The middle section of frame</p>  <p>Second, to remote the frame. User setting in thermostat.</p>
<p>3</p>  <p>Installation of fastening screws</p>	<p>4</p>  <p>A. Install the middle section of frame</p> <p>Install the frame,lid and knob.</p>

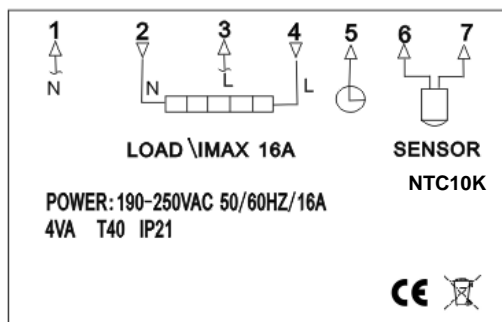
Round lid type

<p>1</p>  <p>First, please remove the knob , then use tool open the spring clip on both sides.</p>	<p>2</p> <p>The middle section of frame</p>  <p>Second, to remote the frame.. User setting in thermostat.</p>
<p>3</p>  <p>Installation of fastening screws</p>	<p>4</p>  <p>A. Install the middle section of frame</p> <p>Install the frame,lid and knob.</p>

When you install the knob, please make sure Potentiometer rotation clockwise rotation to the end, Put a knob installed to the potentiometer .



Wiring Diagram



- No.1,3 Power supply input
- No.2,4 Heating load output
- No.5 FP signal input
- No.6,7 Floor probe (NTC10K sensor)

User instruction

1. Light indicator:

Red light: When heating output, it shows red light. *When the red light flashing, it indicated the floor sensor is not be installed correctly or damaged.*

Room thermostat with floor limitation or floor mode: When the external floor sensor short circuit or open circuit, the red light flashing, and stop the output.

Green light: When external signal input (such as FP function , when the grid signal input set temperature reduce 5°C), it shows green light.

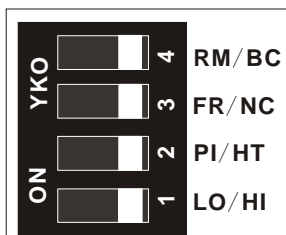
Appears the clock signal, it was set temperature reduce 5°C.

Yellow light: Warning function. (When the external FP signal and heating output indicate at the same time.)

2. User setting by dialing code in thermostat :

When operated the user setting by dialing code, please open thermostat as installation indication.

Factory default as follow figures:



Instruction:

1. Dual sensor mode (factory default):

Room temperature control with floor temperature limitation.

(Any way is ok as below) when floor temperature reach limitation, stopping heat output.



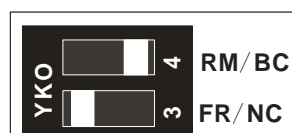
2. Only Room temperature control mode (note code 4 RM/BC position)

When room temperature above setting temperature, stopping heat output.



3. Only Floor temperature control mode (note code 3 FR/NC position)

When floor temperature above setting temperature, stopping heat output.



4. Proportion output (PI) or constant temperature on/off output (HT)



PI output



HT output

PI Proportion output is more human interface, the room temperature will be increased or decreased small, user will feel comfortable, not too cool or too hot.

HT Constant temperature on/off output between -0.5°C to 0.5°C .
On/off heat output frequently.

5. Low temperature limitation or High temperature limitation



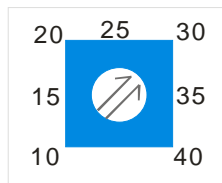
LO limitation



High limitation

Dual sensor mode or Only floor mode is effective.

The thermostat actual setting range is $10 \sim 40^{\circ}\text{C}$ in this code setting. We suggested use high temperature limitation for protecting floor. Our factory default is 30°C to protect wood floor. User selection please ask professionals to set in thermostat before installation.



CUSTOMER ASSISTANCE

After reading this guide, if you have any question about the operation of your thermostat, please contact your installer or service provider.